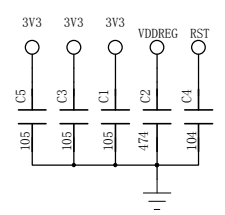
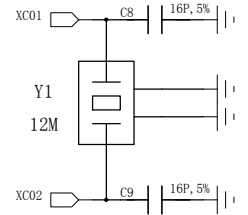


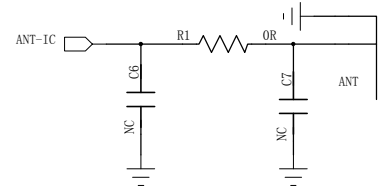
REVISION RECORD			
LTR	ECO NO:	APPROVED:	DATE:



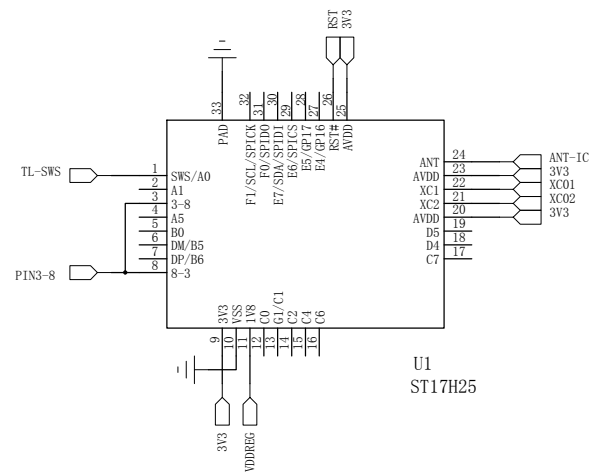
滤波电容靠近芯片



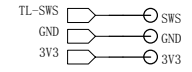
晶振



天线



蓝牙主控



烧录点

COMPANY:			
TITLE: ST17H25原理图			
CODE:	SIZE: A3	DRAWING NO:	REV: 1
SCALE:		SHEET: 1 OF 1	

DRAWN:	DATED:
CHECKED:	DATED:
QUALITY CONTROL:	DATED:
RELEASED:	DATED:

D

C

B

A